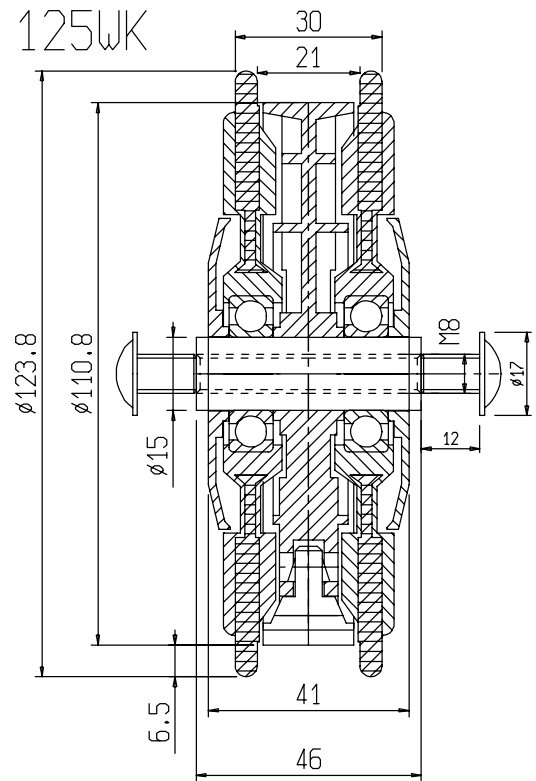
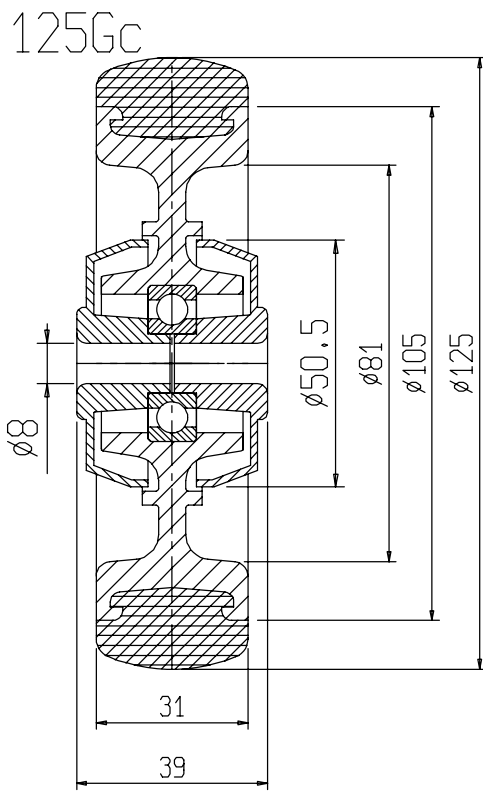


Requisiti Ruote Supermarket nelle varie tipologie di: Diametri, Battistrada, Organi di Rotolamento
 Supermarket wheels requirements in the various types of: Diameter, Tyres, Rolling parts

Ruota tipo Wheel type	125 Gc		125 WK	
Catteristiche del Battistrada Tyres characteristics	Gomma Grigia Grey Rubber		Poliuretano iniettato injected Polyurethane	
Durezza del Battistrada conforme UNI EN 12527 Tyres hardness in compliance with UNI EN 12527	shore A	84	shore A	98
Catteristiche del Nucleo Wheel centre characteristics	Polipropilene Grigio Grey Polypropylene		Nylon Grigio Grey Nylon	
Temperature di Utilizzo Raccomandate Recommended working temperatures	Max.	+40°C +40°C	+40°C	+40°C
	Min.	0°C 0°C	-5°C	-5°C
Catteristiche del Mozzo Hub characteristics	Cuscinetto a Sfera 6021RS Ball Bearing 6021RS Parafilo Poliammide Grigio Grey Polyamide Threadguard		Cuscinetti a Sfera 6021RS Nucleo Centrale Polipropilene iniettato sull'Assale in Acciaio Ball Bearings 6021RS Polypropylene Central Core injected on Steel Axle Parafili Poliammide Grigio Grey Polyamide Threadguards	

Portata Dinamica conforme UNI EN 12527 Dynamic load capacity conform UNI EN 12527	D	Resistenza al Rotolamento (FR) alla Portata Nominale Rolling resistance (FR) at rated capacity	FR	Weight for a piece= gr
		Resistenza al Superamento Ostacolo (FO) alla Portata Nominale H ostacolo=1% Ø della Ruota Min 0.5 mm Obstacle overcoming resistance (FO) at rated capacity obstacle H=1% of wheel. min. 0.5 mm		FO



ITEM	125/Gc	125/WK
D	100	50
S	-	-
FR	-	-
FO	-	-
gr	367	320