

Compressivi fissi serie 50/ML/SF nelle varie tipologie di: Fissaggi, Ruote assemblati
 Fixed castors of 50/ML/SF series with different type of: fixings, assembled wheels

Requisiti dei Compressivi assemblati alle varie Ruote

Requirements of the castors assembled with the different wheels

Portata Dinamica conforme UNI EN 12527

Dynamic load capacity conform UNI EN 12527

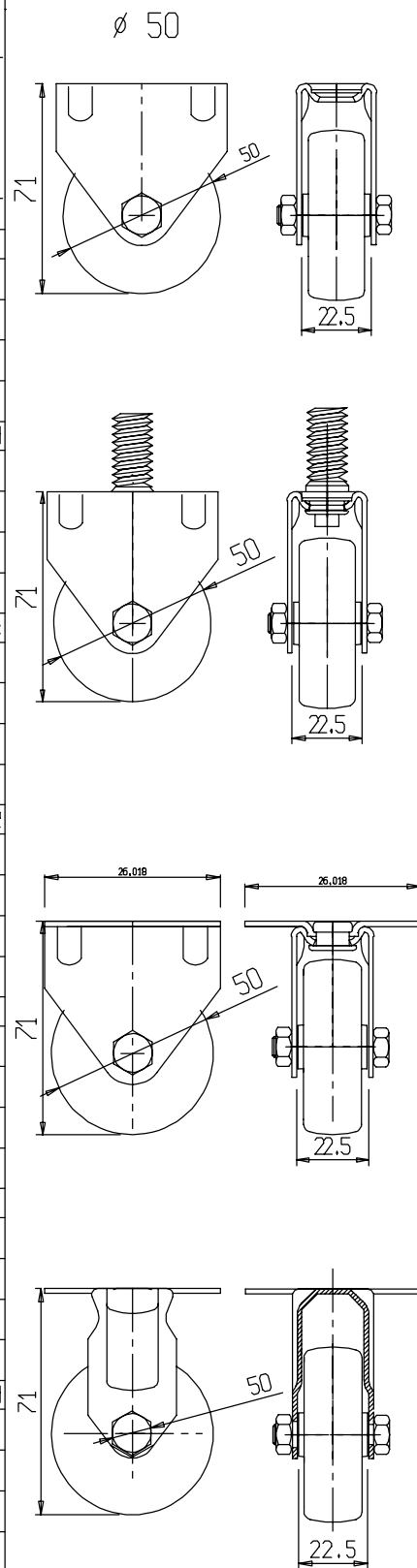


Portata Statica conforme UNI EN 12527

Static load capacity conform UNI EN 12527



ITEM	50/ML/SF		50/ML/SF		50/ML/SF		50/ML/SF		
	50/ML/SFG	50/ML/SFFG	50/ML/SFP5G	50/ML/SFP5IG	50/ML/SFGd	50/ML/SFFGd	50/ML/SFP5Gd	50/ML/SFP5IGd	
50G	ITEM	50/ML/SFG	50/ML/SFFG	50/ML/SFP5G	50/ML/SFP5IG	50/ML/SFGd	50/ML/SFFGd	50/ML/SFP5Gd	50/ML/SFP5IGd
		-	-	-	-	-	-	-	-
		-	-	-	-	-	-	-	-
		136	157	182	107	140	161	186	111
	code			5010			5037		
50Gd	ITEM	50/ML/SFGc	50/ML/SFFGc	50/ML/SFP5Gc	50/ML/SFP5IGc	50/ML/SFGSR	50/ML/SFFSR	50/ML/SFP5SR	50/ML/SFP5ISR
		-	-	-	-	-	-	-	-
		-	-	-	-	-	-	-	-
		171	192	217	142	109	130	155	80
	code			5005			5045		
50SR	ITEM	50/ML/SF SRd	50/ML/SF FSRd	50/ML/SF P5SRd	50/ML/SF P5ISRd	50/ML/SFN	50/ML/SFFN	50/ML/SFP5N	50/ML/SFP5IN
		-	-	-	-	-	-	-	-
		-	-	-	-	-	-	-	-
		118	139	164	89	91	112	137	62
	code						5053		
50SRd	ITEM	50/ML/SFNd	50/ML/SFFNd	50/ML/SFP5Nd	50/ML/SFP5INd				
		-	-	-	-				
		-	-	-	-				
		118	139	164	89				
	code								



ITEM	50/L/G-Gd-SR-SRd	ITEM	50/L/N-Nd	ITEM	50/L/G-Gd-Gc
	con Asse Rivettato With riveted axle		con Asse a Vite With screw axle		Nucleo Grigio Grey Centre

Compressivi fissi serie 60/ML/SF nelle varie tipologie di: Fissaggi, Ruote assemblati
 Fixed castors of 60/ML/SF series with different types of: fixings, assembled wheels

Requisiti dei Compressivi assemblati alle varie Ruote
 Requirements of the castors assembled with the different wheels

Portata Dinamica conforme UNI EN 12527

Dynamic load capacity conform UNI EN 12527

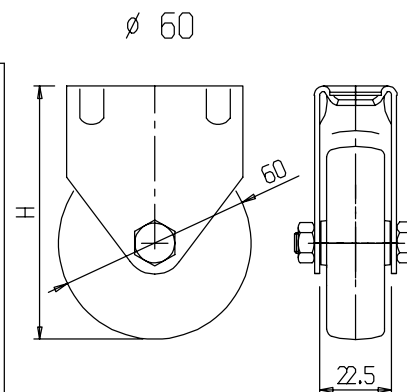
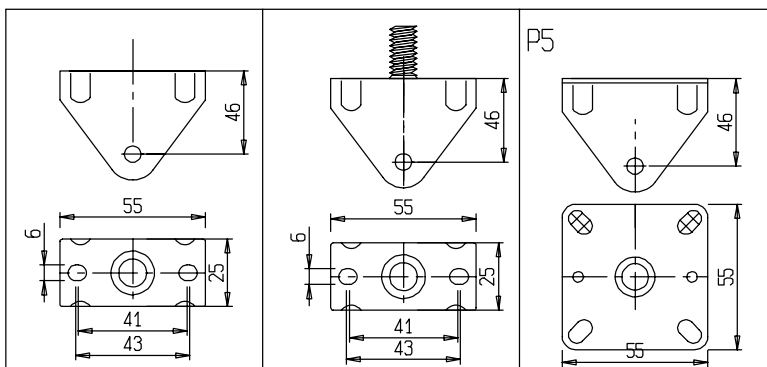


Portata Statica conforme UNI EN 12527

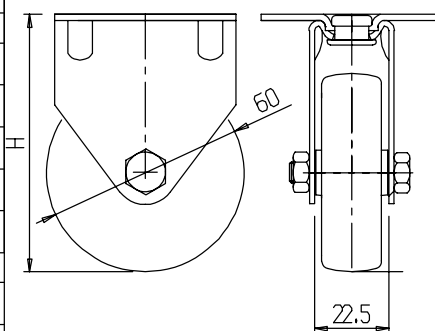
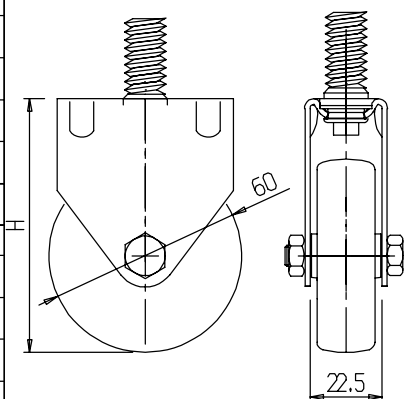
Static load capacity conform UNI EN 12527



= Peso per 1 pezzo
 = Weight for a piece



60G	ITEM	60/ML/SFG	60/ML/SFFG	60/ML/SFP5G
	H	82	82	82
	D	-	-	-
	S	-	-	-
		161	182	207
	code	5017		5020
60N	ITEM	60/ML/SFN	60/ML/SFFN	60/ML/SFP5N
	H	82	82	82
	D	-	-	-
	S	-	-	-
		122	143	168
	code	5028		5026
60Nd	ITEM	60/ML/SFNd	60/ML/SFFNd	60/ML/SFP5Nd
	H	82	82	82
	D	-	-	-
	S	-	-	-
		144	165	190
	code			
60NdRa	ITEM	60/ML/SFNdRa	60/ML/SFFNdRa	60/ML/SFP5NdRa
	H	82	82	82
	D	-	-	-
	S	-	-	-
		136	157	182
	code			



ITEM	60/L/G		60/L/N-Nd-NdRa	ITEM	60/L/G
	con Asse Rivettato With riveted axle		con Asse a Vite With screw axle		Nucleo Grigio Grey Centre