

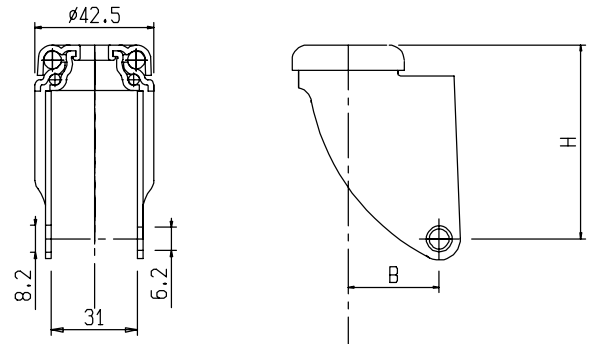
Supporti girevoli Serie M per i vari Diametri di Ruote e Gamma di Fissaggi

Swivel forks of the M series for the various wheels diameters and range of fixings

Materiale: Lamiera ferro secondo standard EN 10130
 Trattamento superficiale Zincatura passivata UNI ISO 2081
 Corona sfere superiore: n. 14 sfere 1/4" ingrassate
 Corona sfere inferiore: n. 22 sfere 5/32" ingrassate
 Material: Iron sheet EN 10130
 Surface treatment passivated galvanisation subject to UNI ISO 2081
 Upper ball crown N. 14 greased balls 1/4
 Lower ball crown N. 22 greased ball 5/32

Portata Statica conforme UNI EN 12527 *
 Static load capacity conform UNI EN 12527 *

	Adattatori Adaptors						Ø 18 19 22 25 28 EL+ EL+
	Ø 18 19 22 25 28 21 26 31						



* Gli articoli evidenziati in colore verde sono in fase di allestimento.
 * Articles written in green colour are in course of preparation.

ITEM			Rondella Washer	B10 #10.2 a Richiesta On request Ø8.2	F M10 M12 CH9	PI 60x60	P3 77x67	P7 68.5x48	P6 92x65	E	EL #Espansori Expanders	C+ Adattatori Adaptors	A2	A3
8123	5		0											
			Ø12.2	Ø10.2	CH9					CH9	CH9			
ITEM			50/M/0	50/M/B10	50/M/F	50/M/PI	50/M/P3	50/M/P7	50/M/P6	50/M/E	50/M/EL	50/M/C	50/M/A2	50/M/A3
H			47	47	47	47	47	47	47	47	47	47	47	47
B			22.5	22.5	22.5	22.5	22.5	22.5	22.5	22.5	22.5	22.5	22.5	22.5
			45	45	45	45	45	45	45	45	45	45	45	45
			123	128	153	155	171	152	198	177	187	186	213	223
code			3530	2942	3540	2951				3548			2874	5726
ITEM			60/M/0	60/M/B10	60/M/F	60/M/PI	60/M/P3	60/M/P7	60/M/P6	60/M/E	60/M/EL	60/M/C	60/M/A2	60/M/A3
H			52.5	52.5	52.5	52.5	52.5	52.5	52.5	52.5	52.5	52.5	52.5	52.5
B			20.5	20.5	20.5	20.5	20.5	20.5	20.5	20.5	20.5	20.5	20.5	20.5
			75	75	75	75	75	75	75	75	75	75	75	75
			130	136	161	163	179	160	206	184	194	193	205	215
code			3531	2940	3541	2952			2900				3806	3567
ITEM			75-80/M/0	75-80/M/B10	75-80/M/F	75-80/M/PI	75-80/M/P3	75-80/M/P7	75-80/M/P6	75-80/M/E	75-80/M/EL	75-80/M/C	75-80/M/A2	75-80/M/A3
H			63.5	63.5	63.5	63.5	63.5	63.5	63.5	63.5	63.5	63.5	63.5	63.5
B			30	30	30	30	30	30	30	30	30	30	30	30
			30	30	30	30	30	30	30	30	30	30	30	30
			159	162	187	200	216	197	243	213	223	222	244	247
code			3532	2930	3542	2933				3550			3536	5727
ITEM			100/M/0	100/M/B10	100/M/F	100/M/PI	100/M/P3	100/M/P7	100/M/P6	100/M/E	100/M/EL	100/M/C	100/M/A2	100/M/A3
H			72.5	72.5	72.5	72.5	72.5	72.5	72.5	72.5	72.5	72.5	72.5	72.5
B			32.6	32.6	32.6	32.6	32.6	32.6	32.6	32.6	32.6	32.6	32.6	32.6
			30	30	30	30	30	30	30	30	30	30	30	30
			168	174	199	204	220	201	247	225	235	231	253	256
code			3533	3575	3543	2935				3551			3535	5728
ITEM			125/M/0	125/M/B10	125/M/F	125/M/PI	125/M/P3	125/M/P7	125/M/P6	125/M/E	125/M/EL	125/M/C	125/M/A2	125/M/A3
H			87.5	87.5	87.5	87.5	87.5	87.5	87.5	87.5	87.5	87.5	87.5	87.5
B			34.5	34.5	34.5	34.5	34.5	34.5	34.5	34.5	34.5	34.5	34.5	34.5
			-	-	-	-	-	-	-	-	-	-	-	-
			204	210	235	239	255	236	282	261	271	267	285	288
code				5200		5121								

* La portata statica indicata per i soli supporti corrisponde a 1.5 portata dinamica verificata secondo UNI 12527 montando una ruota in Nylon

* The static load capacity mentioned for the only forks correspond to 1.5 of dynamic load capacity checked according to UNI 12527 assembling with a nylon wheel

