





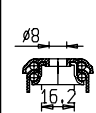
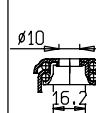


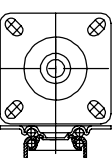
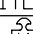
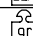
Supporti girevoli Serie LM-LMF-LMFT per i vari Diametri di Ruote e Gamma di Fissaggi

Swivel forks of the LM-LMF-LMFT series for the various wheels diameters and rage of fixings

Materiale: Lamiera ferro secondo standard EN 10130
 Trattamento superficiale: Zincatura passivata UNI ISO 2081
 Corona sfere superiore: n. 18 sfere 5/32" ingrassate
 Corona sfere inferiore: n. 18 sfere 5/32" ingrassate
 Material: Iron sheet subject to EN 10130
 Surface treatment: passivated galvanisation subject to UNI ISO 2081
 Upper ball crown N. 18 greased ball 5/32
 Lower ball crown N. 18 greased ball 5/32

 Portata Statica conforme UNI EN 12527 *
 Static load capacity conform UNI EN 12527 *

 =Peso per 1 pezzo
 =Weight for a piece

	B8	B10	F	P4	P5
					
ITEM	75/LM/B8	75/LM/B10	75/LM/F	75/LM/P4	75/LM/P5
 S	-	-	-	-	-
 gr	96	96	116	106	119
code	7020	7000		7030	7010

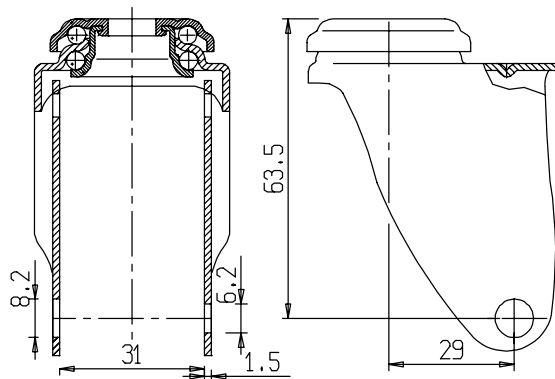
ITEM	75/LMF/B8	75/LMF/B10	75/LMF/F	75/LMF/P4	75/LMF/P5
 S	-	-	-	-	-
 gr	113	113	133	122	135
code	7040	7050	7060		7070

ITEM	75/LMFT/B8	75/LMFT/B10	75/LMFT/F	75/LMFT/P4	75/LMFT/P5
 S	-	-	-	-	-
 gr	-	-	-	-	-
code		7090			7091

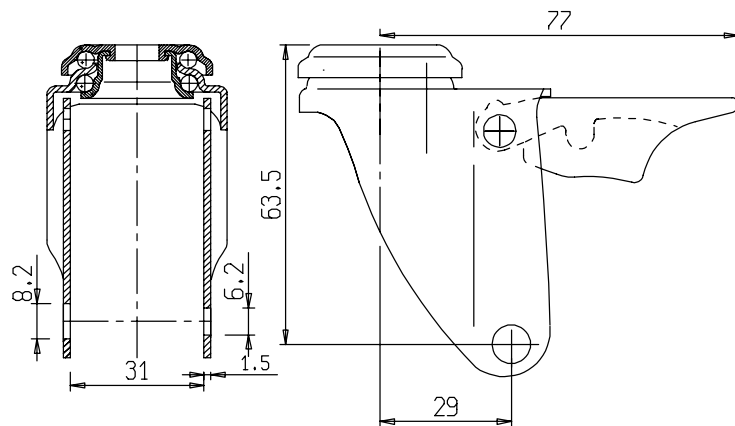
* La portata statica indicata per i soli supporti corrisponde a 1.5 portata dinamica verificata secondo UNI 12527 montando una ruota in Nylon

* The static load capacity mentioned for the only forks correspond to 1.5 dynamic load capacity checked according to UNI 12527 assembling with a nylon wheel.

∅ 75



∅75



∅ 75

