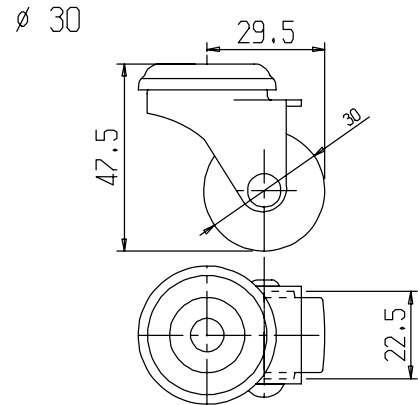


Compressivi girevoli Serie L nelle varie tipologie di: Fissaggi, Ruote assemblate.  
Swivel castors of the L series with different types of fixings, assembled wheels.

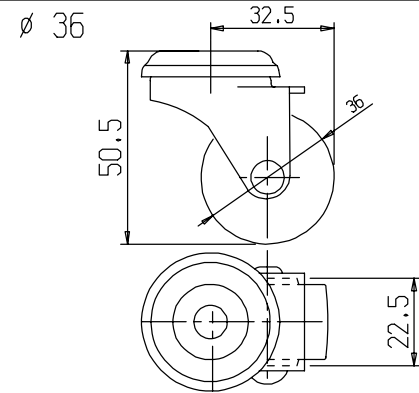
Requisiti dei Compressivi assemblati alle varie Ruote  
Requirements of the castors assembled with the different wheels

Portata Dinamica conforme UNI EN 12527 Portata Statica conforme UNI EN 12527   
Dynamic load capacity conform UNI EN 12527 Static load capacity conform UNI EN 12527

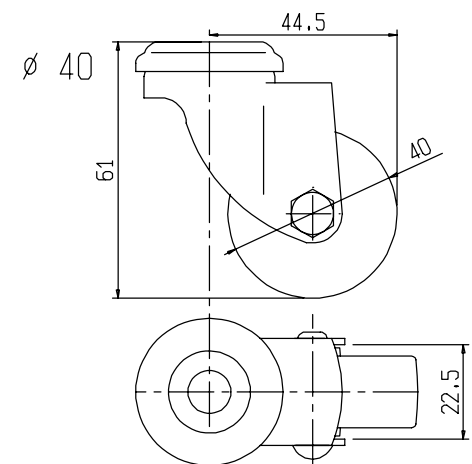
	B8	B10	F	P4	P5	E
$\varnothing 8$ $\varnothing 10$						
= Peso per 1 pezzo = Weight for a piece	15,2	16,2				
30N	ITEM 30/L/NB8	30/L/NB10	30/L/NF	30/L/NP4	30/L/NP5	30/L/NE
	28	28	28	28	28	28
	42	42	42	42	42	42
	66	66	88	77	90	117
€	-	-	-	-	-	-



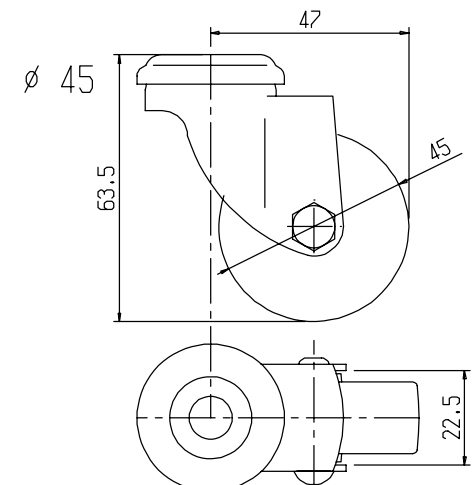
	36/L/NB8	36/L/NB10	36/L/NF	36/L/NP4	36/L/NP5	36/L/NE
36N	ITEM 36/L/NB8	36/L/NB10	36/L/NF	36/L/NP4	36/L/NP5	36/L/NE
	20	20	20	20	20	20
	30	30	30	30	30	30
	71	71	93	82	95	122
€	-	-	-	-	-	-
365R	ITEM 36/L/SRB8	36/L/SRB10	36/L/SRF	36/L/SRP4	36/L/SRP5	36/L/SRE
	20	20	20	20	20	20
	30	30	30	30	30	30
	-	-	-	-	-	-
€	-	-	-	-	-	-



	40/L/NB8	40/L/NB10	40/L/NF	40/L/NP4	40/L/NP5	40/L/NE
40N	ITEM 40/L/NB8	40/L/NB10	40/L/NF	40/L/NP4	40/L/NP5	40/L/NE
	28	28	28	28	28	28
	42	42	42	42	42	42
	91	91	113	102	115	141
€	-	-	-	-	-	-



	45/L/NB8	45/L/NB10	45/L/NF	45/L/NP4	45/L/NP5	45/L/NE
45N	ITEM 45/L/NB8	45/L/NB10	45/L/NF	45/L/NP4	45/L/NP5	45/L/NE
	20	20	20	20	20	20
	30	30	30	30	30	30
	95	95	118	107	120	147
€	-	-	-	-	-	-



Compressivi girevoli Serie 50/L nelle varie tipologie di: Fissaggi, Ruote assemblate.  
Swivel castors of the 50/L series with different types of fixings, assembled wheels

Requisiti dei Compressivi assemblati alle varie Ruote  
Requirements of the castors assembled with the different wheels

Portata Dinamica conforme UNI EN 12527  
Dynamic load capacity conform UNI EN 12527

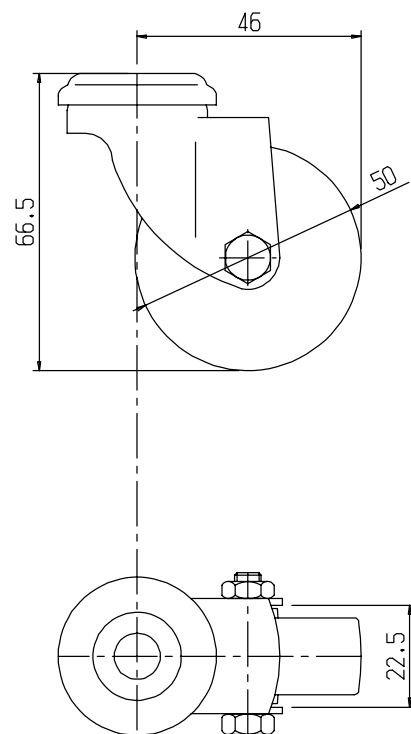


Portata Statica conforme UNI EN 12527  
Static load capacity conform UNI EN 12527



		B8	B10	F	P4	P5	E
 = Peso per 1 pezzo = Weight for a piece							
		$\phi 8$ 16,2	$\phi 10$ 16,2				
50G	ITEM	50/L/GB8	50/L/GB10	50/L/GF	50/L/GP4	50/L/GP5	50/L/GE
		36	36	36	36	36	36
		54	54	54	54	54	54
		122	122	144	133	146	172
	€	-	-	-	-	-	-
50Gd	ITEM	50/L/GdB8	50/L/GdB10	50/L/GdF	50/L/GdP4	50/L/GdP5	50/L/GdE
		36	36	36	36	36	36
		54	54	54	54	54	54
		125	125	147	136	149	176
	€	-	-	-	-	-	-
50Gc	ITEM	50/L/GcB8	50/L/GcB10	50/L/GcF	50/L/GcP4	50/L/GcP5	50/L/GcE
		36	36	36	36	36	36
		54	54	54	54	54	54
		156	156	178	167	180	207
	€	-	-	-	-	-	-
50SR	ITEM	50/L/SRB8	50/L/SRB10	50/L/SRF	50/L/SRP4	50/L/SRP5	50/L/SRE
		31	31	31	31	31	31
		46	46	46	46	46	46
		98	98	118	109	122	147
	€	-	-	-	-	-	-
50SRd	ITEM	50/L/SRdB8	50/L/SRdB10	50/L/SRdF	50/L/SRdP4	50/L/SRdP5	50/L/SRdE
		31	31	31	31	31	31
		46	46	46	46	46	46
		-	-	-	-	-	-
	€	-	-	-	-	-	-
50N	ITEM	50/L/NB8	50/L/NB10	50/L/NF	50/L/NP4	50/L/NP5	50/L/NE
		20	20	20	20	20	20
		30	30	30	30	30	30
		91	91	113	102	115	142
	€	-	-	-	-	-	-
50Nd	ITEM	50/L/NdB8	50/L/NdB10	50/L/NdF	50/L/NdP4	50/L/NdP5	50/L/NdE
		20	20	20	20	20	20
		30	30	30	30	30	30
		103	103	125	114	127	154
	€	-	-	-	-	-	-

∅ 50



pag\_018

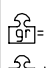
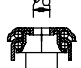
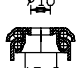
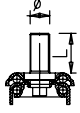


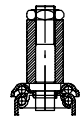
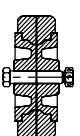
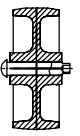
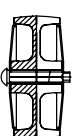
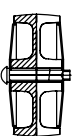
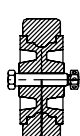
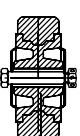
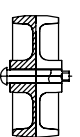
ITEM	50/L/G-Gd-SR-SRd	ITEM	50/L/N-Nd	ITEM	50/L/G-Gd-Gc
	con Asse Rivettato With riveted axle		con Asse a Vite With screw axle		Nucleo Grigio Grey Centre
-€	-	+€	-	+€	-

Compressivi girevoli Serie 60-75/L nelle varie tipologie di: Fissaggi, Ruote assemblate.  
Swivel castors of the 60-75/L series with different types of fixings, assembled wheels.

Requisiti dei Compressivi assemblati alle varie Ruote  
Requirements of the castors assembled with the different wheels

Portata Dinamica conforme UNI EN 12527  
Dynamic load capacity conform UNI EN 12527

Portata Statica conforme UNI EN 12527  
Static load capacity conform UNI EN 12527

	B8	B10	F	P4	P5	E	
							
$\overline{P}$ = Peso per 1 pezzo $\overline{P}$ = Weight for a piece	16,2	16,2					
<b>60G</b>	ITEM 60/L/GB8	ITEM 60/L/GB10	ITEM 60/L/GF	ITEM 60/L/GP4	ITEM 60/L/GP5	ITEM 60/L/GE	
	$\overline{D}$ 36	$\overline{D}$ 36	$\overline{D}$ 36	$\overline{D}$ 36	$\overline{D}$ 36	$\overline{D}$ 36	
	$\overline{S}$ 54	$\overline{S}$ 54	$\overline{S}$ 54	$\overline{S}$ 54	$\overline{S}$ 54	$\overline{S}$ 54	
	$\overline{P}$ 160	$\overline{P}$ 160	$\overline{P}$ 182	$\overline{P}$ 171	$\overline{P}$ 184	$\overline{P}$ 208	
	€ -	€ -	€ -	€ -	€ -	€ -	
<b>60N</b>	ITEM 60/L/NB8	ITEM 60/L/NB10	ITEM 60/L/NF	ITEM 60/L/NP4	ITEM 60/L/NP5	ITEM 60/L/NE	
	$\overline{D}$ 20	$\overline{D}$ 20	$\overline{D}$ 20	$\overline{D}$ 20	$\overline{D}$ 20	$\overline{D}$ 20	
	$\overline{S}$ 30	$\overline{S}$ 30	$\overline{S}$ 30	$\overline{S}$ 30	$\overline{S}$ 30	$\overline{S}$ 30	
	$\overline{P}$ 110	$\overline{P}$ 110	$\overline{P}$ 132	$\overline{P}$ 121	$\overline{P}$ 134	$\overline{P}$ 160	
	€ -	€ -	€ -	€ -	€ -	€ -	
<b>60Nd</b>	ITEM 60/L/NdB8	ITEM 60/L/NdB10	ITEM 60/L/NdF	ITEM 60/L/NdP4	ITEM 60/L/NdP5	ITEM 60/L/NdE	
	$\overline{D}$ 20	$\overline{D}$ 20	$\overline{D}$ 20	$\overline{D}$ 20	$\overline{D}$ 20	$\overline{D}$ 20	
	$\overline{S}$ 30	$\overline{S}$ 30	$\overline{S}$ 30	$\overline{S}$ 30	$\overline{S}$ 30	$\overline{S}$ 30	
	$\overline{P}$ 132	$\overline{P}$ 132	$\overline{P}$ 154	$\overline{P}$ 143	$\overline{P}$ 156	$\overline{P}$ 182	
	€ -	€ -	€ -	€ -	€ -	€ -	
<b>60NdRa</b>	ITEM 60/L/NdRaB8	ITEM 60/L/NdRaB10	ITEM 60/L/NdRaF	ITEM 60/L/NdRaP4	ITEM 60/L/NdRaP5	ITEM 60/L/NdRaE	
	$\overline{D}$ 20	$\overline{D}$ 20	$\overline{D}$ 20	$\overline{D}$ 20	$\overline{D}$ 20	$\overline{D}$ 20	
	$\overline{S}$ 30	$\overline{S}$ 30	$\overline{S}$ 30	$\overline{S}$ 30	$\overline{S}$ 30	$\overline{S}$ 30	
	$\overline{P}$ 120	$\overline{P}$ 120	$\overline{P}$ 142	$\overline{P}$ 131	$\overline{P}$ 144	$\overline{P}$ 170	
	€ -	€ -	€ -	€ -	€ -	€ -	
<b>75G</b>	ITEM 75/L/GB8	ITEM 75/L/GB10	ITEM 75/L/GF	ITEM 75/L/GP4	ITEM 75/L/GP5	ITEM 75/L/GE	
	$\overline{D}$ 36	$\overline{D}$ 36	$\overline{D}$ 36	$\overline{D}$ 36	$\overline{D}$ 36	$\overline{D}$ 36	
	$\overline{S}$ 54	$\overline{S}$ 54	$\overline{S}$ 54	$\overline{S}$ 54	$\overline{S}$ 54	$\overline{S}$ 54	
	$\overline{P}$ 178	$\overline{P}$ 178	$\overline{P}$ 200	$\overline{P}$ 189	$\overline{P}$ 202	$\overline{P}$ 228	
	€ -	€ -	€ -	€ -	€ -	€ -	
<b>75Gd</b>	ITEM 75/L/GdB8	ITEM 75/L/GdB10	ITEM 75/L/GdF	ITEM 75/L/GdP4	ITEM 75/L/GdP5	ITEM 75/L/GdE	
	$\overline{D}$ 36	$\overline{D}$ 36	$\overline{D}$ 36	$\overline{D}$ 36	$\overline{D}$ 36	$\overline{D}$ 36	
	$\overline{S}$ 54	$\overline{S}$ 54	$\overline{S}$ 54	$\overline{S}$ 54	$\overline{S}$ 54	$\overline{S}$ 54	
	$\overline{P}$ 197	$\overline{P}$ 197	$\overline{P}$ 219	$\overline{P}$ 208	$\overline{P}$ 227	$\overline{P}$ 247	
	€ -	€ -	€ -	€ -	€ -	€ -	
<b>75N</b>	ITEM 75/L/NB8	ITEM 75/L/NB10	ITEM 75/L/NF	ITEM 75/L/NP4	ITEM 75/L/NP5	ITEM 75/L/NE	
	$\overline{D}$ 20	$\overline{D}$ 20	$\overline{D}$ 20	$\overline{D}$ 20	$\overline{D}$ 20	$\overline{D}$ 20	
	$\overline{S}$ 30	$\overline{S}$ 30	$\overline{S}$ 30	$\overline{S}$ 30	$\overline{S}$ 30	$\overline{S}$ 30	
	$\overline{P}$ 131	$\overline{P}$ 131	$\overline{P}$ 153	$\overline{P}$ 142	$\overline{P}$ 155	$\overline{P}$ 181	
	€ -	€ -	€ -	€ -	€ -	€ -	
ITEM	60-75/L/G-Gd		60-75/L/N-Nd-NdRa			ITEM	60-75/L/G-Gd
	con Asse Rivettato With riveted axle		con Asse a Vite With screw axle				Nucleo Grigio Grey Centre
-€	-		+			+	-

