

Supporti fissi Serie L per i vari Diametri di Ruote e Gamma di Fissaggi  
Fixed forks of the L series for the various wheels diameters and fixings range

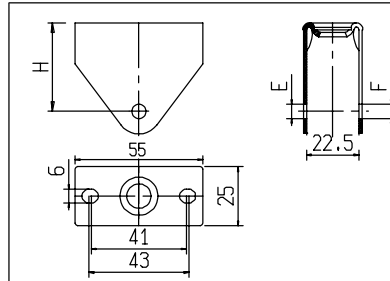
Materiale: Lamiera ferro secondo standard EN 10130  
Trattamento superficiale: Zincatura passivata UNI ISO 2081  
Material: Iron sheet subject to EN 10130  
Surface treatment: passivated galvanisation subject to UNI ISO 2081

S Portata statica conforme UNI EN 12527  
 S Static load capacity conform UNI EN 12527

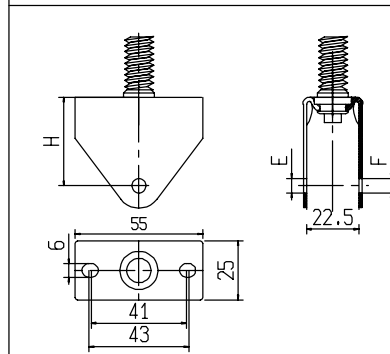
=Peso per 1 pezzo  
 =Weight for a piece

∅30-36/40-45-50/60/75

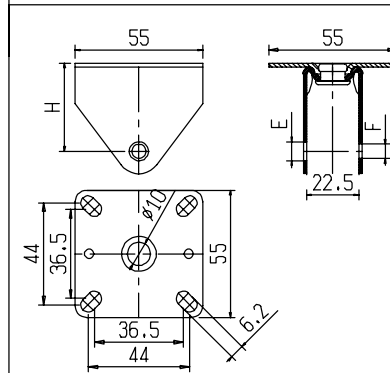
ITEM	30-36/L/SF	40-45-50/L/SF	60/L/SF	75/L/SF
H	31,5	41	49	63
E-F	6.2-6.2	6.2-8.2	6.2-8.2	6.2-8.2
S	-	-	-	-
	49	72	78	96
€	-	-	-	-



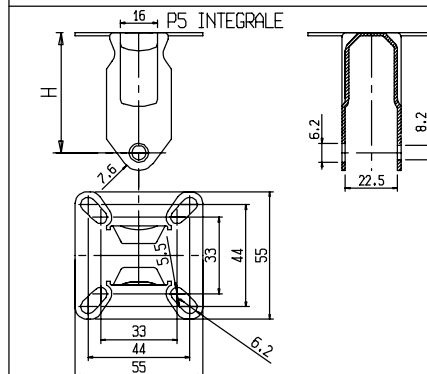
ITEM	30-36/L/SFF	40-45-50/L/SFF	60/L/SFF	75/L/SFF
H	31,5	41	49	63
E-F	6.2-6.2	6.2-8.2	6.2-8.2	6.2-8.2
S	-	-	-	-
	70	93	99	117
€	-	-	-	-



ITEM	30-36/L/SFP5	40-45-50/L/SFP5	60/L/SFP5	75/L/SFP5
H	31,5	41	49	63
E-F	6.2-6.2	6.2-8.2	6.2-8.2	6.2-8.2
S	-	-	-	-
	95	118	124	142
€	-	-	-	-



ITEM	40-45-50/L/SFP5I
H	41
S	-
	44
€	-



ITEM	40/L/SFP4I	45/L/SFP4I	50/L/SFP4I
H	43,5	43,5	43,5
S	-	-	-
	76	76	76
€	-	-	-

