

Supporti fissi Serie 30 per i vari Diametri di Ruote e Gamma di Fissaggi
Fixed forks of the 30 series for the various wheel diameters and fixings range

Materiale: Lamiera ferro secondo standard EN 10130
Trattamento superficiale: Zincatura passivata UNI ISO 2081
Material: Iron sheet subject to EN 10130
Surface treatment: passivated galvanisation subject to UNI ISO 2081

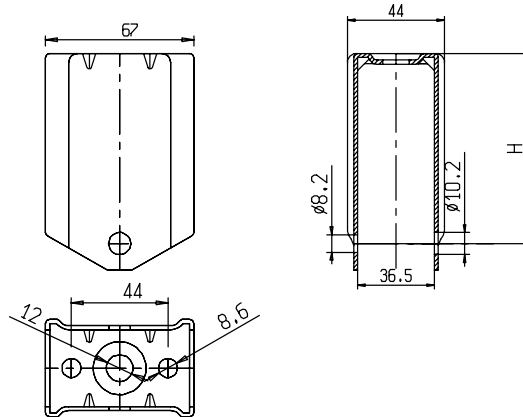
* Gli articoli evidenziati in colore verde sono in fase di allestimento.
* Articles written in green colour are in course of preparation.

Portata statica conforme UNI EN 12527 *

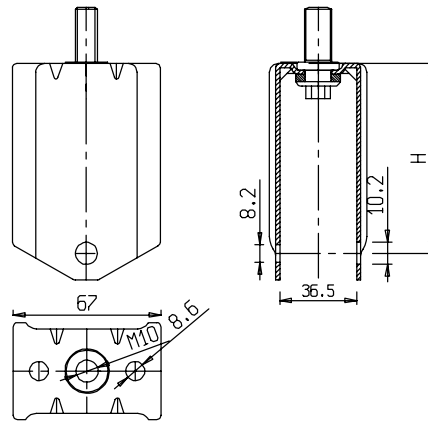
Static load capacity conform UNI EN 12527 *

=Peso per 1 pezzo
 =Weight for a piece

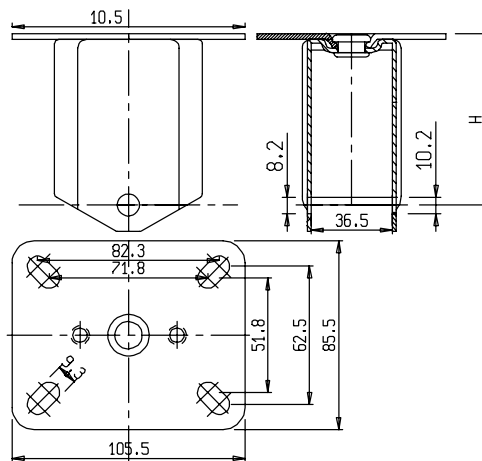
ITEM	65/30/SF	75-80/30/SF	100/30/SF	125/30/SF
H	51	63	74	87.5
S	105	120	120	135
	136	162	186	206
code		2412		



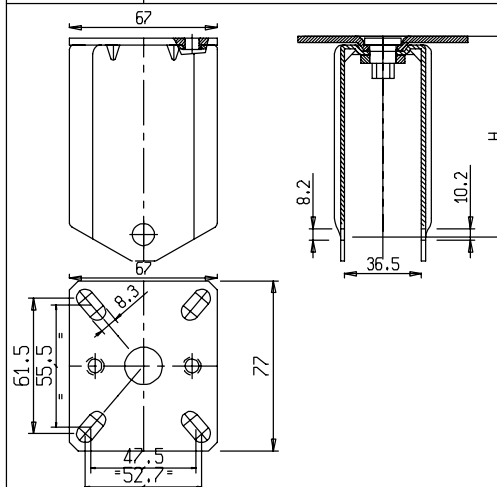
ITEM	65/30/SFF	75-80/30/SFF	100/30/SFF	125/30/SFF
H	51	63	74	87.5
S	105	120	120	120
	172	192	222	242
code				2831



ITEM	65/30/SFP2	75-80/30/SFP2	100/30/SFP2	125/30/SFP2
H	51	63	74	87.5
S	105	120	120	136
	317	343	367	387
code		2422		



ITEM	65/30/SFP3	75-80/30/SFP3	100/30/SFP3	125/30/SFP3
H	51	63	74	87.5
S	105	120	120	135
	261	287	311	331
code		2879	2845	2429



* La portata statica indicata per i soli supporti corrisponde a 1.5 portata dinamica verificata secondo UNI 12527 montando una ruota in Nylon

* The static load capacity mentioned for the only forks correspond to 1.5 of dynamic load capacity checked according to UNI 12527 assembling with a nylon wheel