

Ruote Adottate per Serie 75/2-75/2FT nelle varie tipologie di Diametri, Battistrada
 Wheels used for 75/2-75/2FT series in the various types of diameters and tyres

Ruota tipo	Wheel type	G	Gd	GCC	GdA	GcA	PU	SR	SRd	-	N
Catteristiche del Battistrada Tyre characteristics	Gomma Grigia Grey Rubber			Gomma Conduttiva Nera Conductive Black rubber		Poliuretano Colore Arancio Polyurethane Orange Color	Gomma Sintetica Grigia Synthetic Grey rubber			Nylon Nero Black Nylon	
Durezza del Battistrada conforme UNI EN 12527 Tyre hardness in compliance with UNI EN 12527	shore A	76	76	76	85	85	85	78	78	-	>100
Temperature di Utilizzo Raccomandate Recommended working temperatures	Max+	+70°C	+70°C	+70°C	+40°C	+40°C	+40°C	+60°C	+60°C	-	+40°C
	Min-	-30°C	-30°C	-30°C	-5°C	-5°C	-5°C	-10°C	-10°C	-	0°C
Catteristiche del Nucleo Wheel centre characteristics	Nylon Nero Black Nylon			Nylon Nero Conduttivo Conductive Black Nylon		Nylon Bianco White Nylon Foro Liscio	Polipropilene Grigio Grey Polypropylene				
Catteristiche del Mozzo Hub characteristics	Foro Liscio Plain Bearing	Tubo Parafilo Tube Threadguard	Cuscinetto a Sfera Parafilo Ball Bearing Threadguard	Foro Liscio Plain Bearing	Cuscinetto a Sfera Parafilo Ball Bearing Threadguard	Plain Bearing	Foro Liscio Plain Bearing	Tubo Parafilo Tube Threadguard	Foro Liscio Plain Bearing		
Conducibilita' Elettrica Electric conductivity in compliance with UNI EN 12527	conforme UNI EN 12527 $\frac{hm}{\rho}$			-		-					
Portata Dinamica conforme UNI EN 12527 Dynamic load capacity conform UNI EN 12527	$\frac{D}{S}$		Resistenza al Rotolamento (FR) alla Portata Nominale Rolling resistance (FR) at rated capacity			$\frac{FR}{H}$					
Portata Statica conforme UNI EN 12527 Static load capacity conform UNI EN 12527	$\frac{S}{D}$		Resistenza al Superamento Ostacolo (FO) alla Portata Nominale H ostacolo=1% ϕ della Ruota Min 0,5 mm			$\frac{FO}{H}$					

ITEM	75MG	75MGd	75MGCC	75MGdA	75MGcA	75MPU	75MSR	75MSRd	75MN
A	75	75	75	75	75	75	75	75	75
$\frac{D}{S}$	-	-	-	-	-	-	-	-	-
$\frac{S}{D}$	-	-	-	-	-	-	-	-	-
$\frac{FR}{H}$	-	-	-	-	-	-	-	-	-
$\frac{FO}{H}$	-	-	-	-	-	-	-	-	-
$\frac{H}{\phi}$	125x2	142x2	112x2	137x2	-	86x2	62x2	80x2	43x2

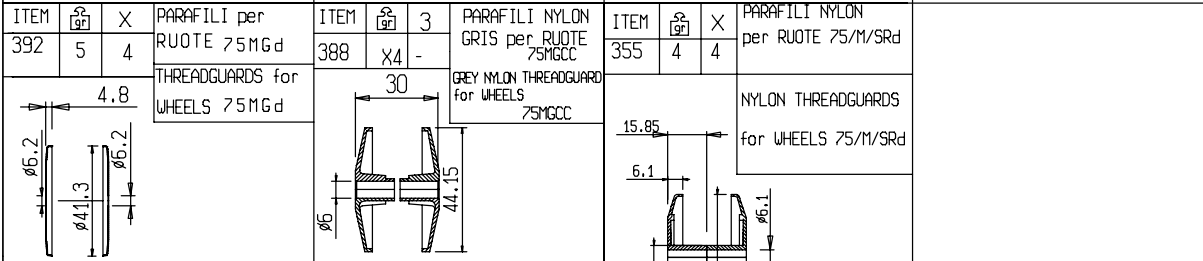
Assali, Cuscinetto e Parafili per Ruote Serie 75/2-75/2FT

Axles, Bearings and Thread guards for wheels of the 75/2-75/2FT

Raccomandazione Adozione Assali per le varie tipologie di Ruote
 Recommendation for the adoption of axles in the different types of wheels

ITEM 46 291	ITEM 46 291	ITEM 46 291	ITEM 46 291	ITEM 46 291	ITEM 46 291	ITEM 46 291	ITEM 51 291	ITEM 45 -
ITEM 45 -	ITEM - -	ITEM - -	ITEM 45 -	ITEM - -	ITEM 45 -	ITEM 45 -	ITEM - -	ITEM 46 291
	ITEM 989 -	ITEM - -	ITEM 989 -	ITEM - -		ITEM - -	ITEM 989 -	ITEM - -

ITEM 46	ASSE VITE (861/RID/FT)	ITEM 291	M8	ITEM 45	ASSE RIB 75/2/ASR	ITEM 989	X	TUBINO
	28		2		26		60	2
-	SCREW AXLE (861/RID/FT)	-	M8	-	RIVETED AXLE 75/2/ASR			TUBE



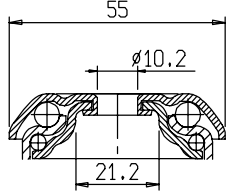
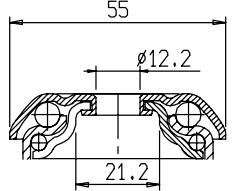
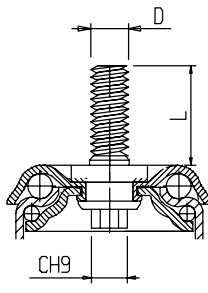
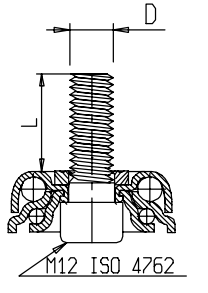
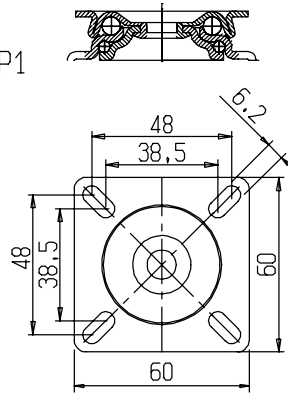
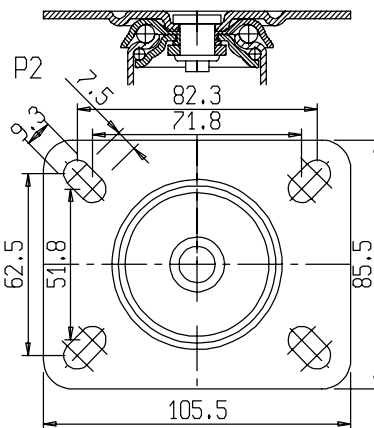
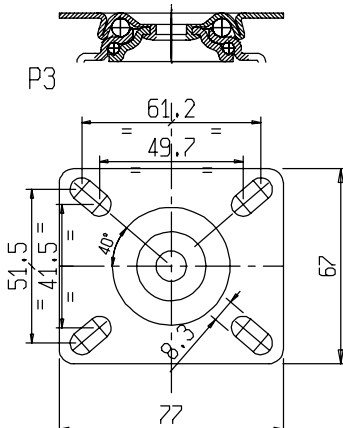
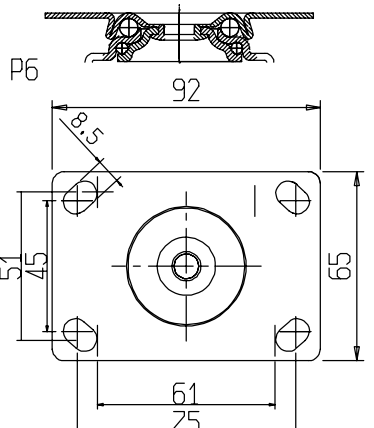
Peso per 1 pezzo =
 Weight for a piece =

ITEM 392		X	PARAFILI per RUOTE 75MGd	ITEM 388		3	PARAFILI NYLON GRIS per RUOTE 75MGCC	ITEM 355		X	PARAFILI NYLON per RUOTE 75/M/SRd
	5	4	THREADGUARDS for WHEELS 75MGd		X4	-	GREY NYLON THREADGUARD for WHEELS 75MGCC		4	4	NYLON THREADGUARDS for WHEELS 75/M/SRd

ITEM	SCelta DI COLORI:
	COLOURS CHOICE:
	GRIGIO/GREY
	RAL 7037

Gamma di Fissaggi Standard per Supporti Serie 75/2-75/2FT

Range of standard fixings for forks of the 75/2-75/2FT

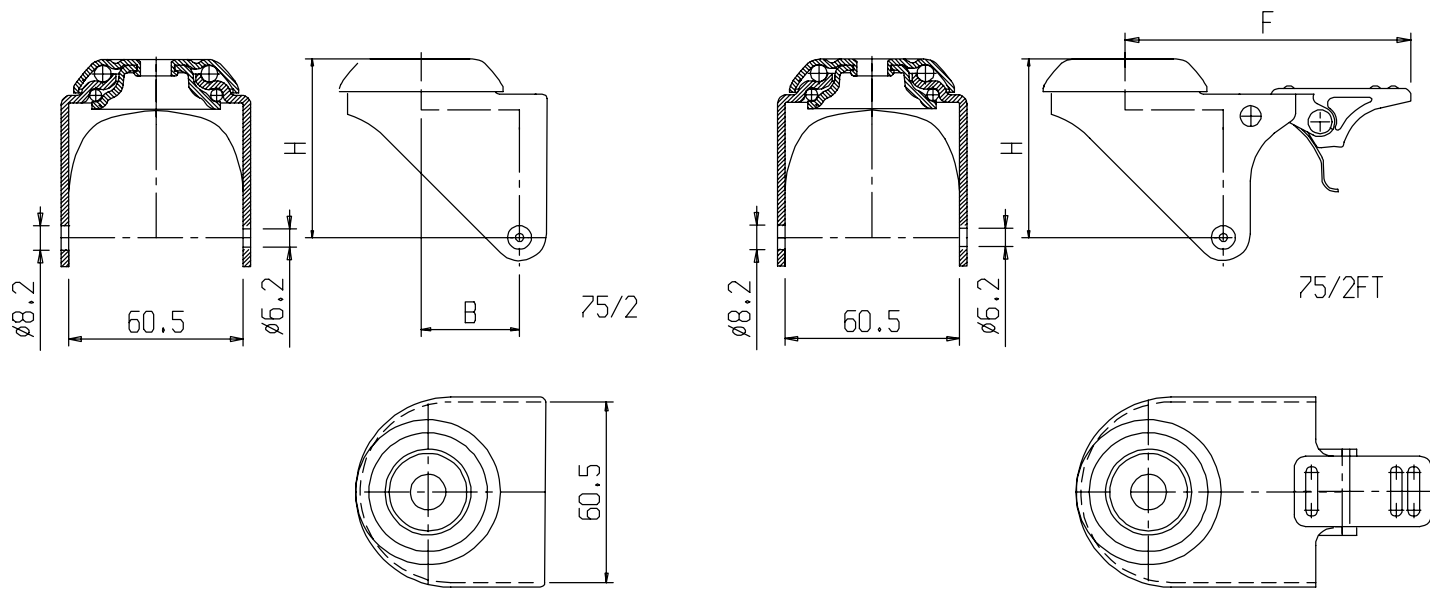
<p>A Foro Passante $\varnothing 10.2$ per Vite di Fissaggio Imbus M10x25 (*) With bolt hole of $\varnothing 10.2$ for fixing screw IMBUS M10x25 (*)</p>	<p>A Foro Passante $\varnothing 12.2$ per Vite di Fissaggio Imbus M12x25 (*) With bolt hole of $\varnothing 12.2$ for fixing screw IMBUS M12x25 (*)</p>	<p>A Perno Filettato Rivettato eo Vite Imbus fissata Dimensioni da tabella da Specificare sempre all'Ordine With riveted thread stem, and/or fixed Imbus screw dimensions as per table to be specified when placing order</p>											
<p>B10</p>  <p>* Lunghezza della Vite Inseribile con Ruota Assemblata * Length of screw that can be inserted with assembled wheel</p>	<p>B12</p>  <p>* Lunghezza della Vite Inseribile con Ruota Assemblata * Length of screw that can be inserted with assembled wheel</p>	<p>F</p>  <table border="1" data-bbox="845 627 1053 672"> <tr> <td>D</td> <td>M10</td> <td>M12</td> </tr> <tr> <td>L</td> <td>15-20-25-30</td> <td>15-25</td> </tr> </table>	D	M10	M12	L	15-20-25-30	15-25	<p>F</p>  <table border="1" data-bbox="1197 627 1468 672"> <tr> <td>D</td> <td>M12</td> </tr> <tr> <td>L</td> <td>9-13-18-23-28-33-38-43-53</td> </tr> </table>	D	M12	L	9-13-18-23-28-33-38-43-53
D	M10	M12											
L	15-20-25-30	15-25											
D	M12												
L	9-13-18-23-28-33-38-43-53												
<p>Fissaggio a Piastra Integrale P1 60x60 Integral plate fixing P1 60x60</p>	<p>Fissaggio a Piastra P2 105x85 + CHIODO 6080/P PLATE FIXING P2 105X85 + NAIL 6080/P</p>	<p>Fissaggio a Piastra Integrale P3 77x67 Integral plate fixing P3 77X67</p>	<p>Fissaggio a Piastra Integrale P6 92x65 Integral plate fixing P6 92X65</p>										
<p>P1</p> 	<p>P2</p> 	<p>P3</p> 	<p>P6</p> 										
<p>Diverse Asolature sono Eseguibili. Inscritte nel Perimetro Esterno Possibility of various slots made in the external perimeter</p>	<p>Diverse Asolature sono Eseguibili. Inscritte nel Perimetro Esterno Possibility of various slots made in the external perimeter</p>	<p>Diverse Asolature sono Eseguibili. Inscritte nel Perimetro Esterno Possibility of various slots made in the external perimeter</p>	<p>Diverse Asolature sono Eseguibili. Inscritte nel Perimetro Esterno Possibility of various slots made in the external perimeter</p>										

Supporti girevoli serie 75/2 e supporti girevoli con freno 75/2FT

Swivel housings 75/2 and swivel housings with brake 75/2FT

Materiale: Lamiera ferro secondo standard EN 10130
 Trattamento superficiale Zincatura passivata UNI ISO 2081
 Corona sfere superiore: n. 14 sfere 1/4" ingrassate
 Corona sfere inferiore: n. 22 sfere 5/32" ingrassate
 Material: Iron sheet EN 10130
 Surface treatment passivated galvanisation subject to UNI ISO 2081
 Upper ball crown N. 14 greased ball 1/4
 Lower ball crown N. 22 greased ball 5/32

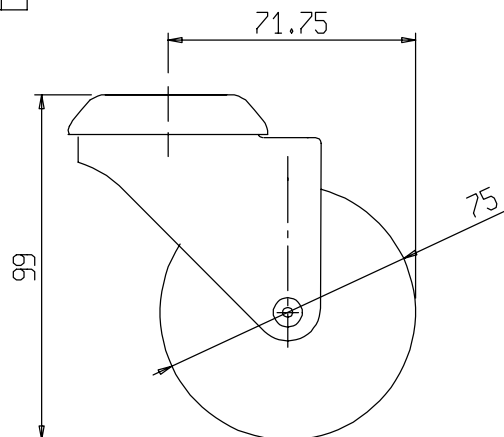
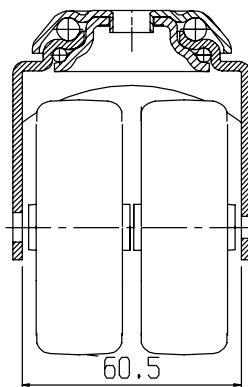
Portata Statica conforme UNI EN 12527 * = Peso per 1 pezzo
 Static Load Capacity conform UNI EN 12527 * = Weight for a piece



	B10	B12	F	P1 60x60	P2 105x85	P3 77x67	P6 92x65
= Peso per 1 pezzo							
= Weight for a piece							
ITEM	75/2/B10	75/2/B12	75/2/F	75/2/P1	75/2/P2	75/2/P3	75/2/P6
H	61.5	61.5	61.5	61.5	64	61.5	61.5
B	33	33	33	33	33	33	33
S	82	82	82	82	82	82	82
	271	271	300	299	445	320	347
ITEM	75/2FT/B10	75/2FT/B12	75/2FT/F	75/2FT/P1	75/2FT/P2	75/2FT/P3	75/2FT/P6
H	61.5	61.5	61.5	61.5	64	61.5	61.5
F	97	97	97	97	97	97	97
S	82	82	82	82	82	82	82
	345	345	373	373	519	394	421

Compressivi girevoli Serie 75/2 nelle varie tipologie di: Fissaggi, Ruote assemblati
Swivel castors of the 75/2 series with different types of fixings, assembled wheels

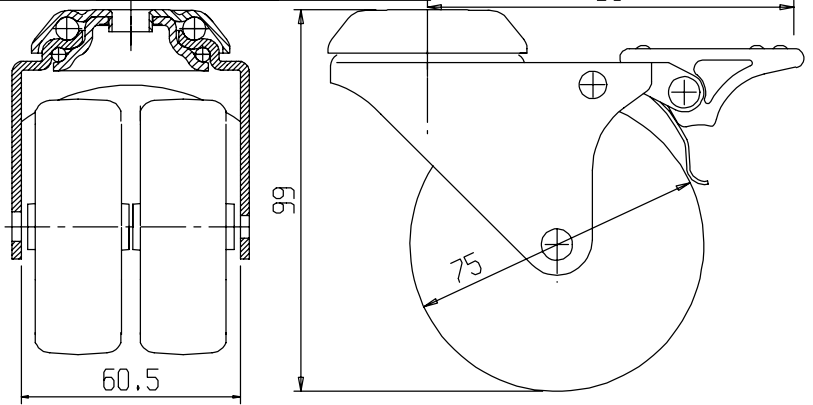
Requisiti dei Compressivi assemblati alle varie Ruote Requirements of the castors assembled with the different wheels	G	Gd	GCC	GdA	GcA	PU	SR	SRd	N	
Portata Dinamica conforme UNI EN 12527 Dynamic load capacity conform UNI EN 12527	D	100	100	100	-	-	100	100	100	55
Portata Statica conforme UNI EN 12527 Static load capacity conform UNI EN 12527	S	150	150	150	-	-	150	150	150	82
Conducibilita'Elettrica conforme UNI EN 12527 Electric conductivity in compliance with UNI EN 12527	Ω hom	< 10.000								



		B10	B12	F	P1 60x60	P2 105x85 P2 ALTEZZA + 2.5 mm. P2 HEIGHT + 2.5 mm	P3 77x67	P6 92x65
= Peso per 1 pezzo = Weight for a piece		$\phi 10.2$	$\phi 12.2$	M10 M12 CH9				
75MGx2		ITEM 75/2/GB10 548	ITEM 75/2/GB12 548	ITEM 75/2/GF 577	ITEM 75/2/GP1 576	ITEM 75/2/GP2 722	ITEM 75/2/GP3 597	ITEM 75/2/GP6 624
75MGdx2		ITEM 75/2/GdB10 587	ITEM 75/2/GdB12 587	ITEM 75/2/GdF 618	ITEM 75/2/GdP1 617	ITEM 75/2/GdP2 763	ITEM 75/2/GdP3 638	ITEM 75/2/GdP6 665
75MGCCx2		ITEM 75/2/GCCB10 536	ITEM 75/2/GCCB12 536	ITEM 75/2/GCCF 556	ITEM 75/2/GCCP1 562	ITEM 75/2/GCCP2 708	ITEM 75/2/GCCP3 583	ITEM 75/2/GCCP6 604
75MGdAx2		ITEM 75/2/GdAB10 -	ITEM 75/2/GdAB12 -	-	ITEM 75/2/GdAP1 -	ITEM 75/2/GdAP2 -	ITEM 75/2/GdAP3 -	ITEM 75/2/GdAP6 -
75MGcAx2		ITEM 75/2/GcAB10 -	ITEM 75/2/GcAB12 -	-	ITEM 75/2/GcAP1 -	ITEM 75/2/GcAP2 -	ITEM 75/2/GcAP3 -	ITEM 75/2/GcAP6 -
75MPux2		ITEM 75/2/PUB10 548	ITEM 75/2/PUB12 548	ITEM 75/2/PUF 577	ITEM 75/2/PUP1 576	ITEM 75/2/PUP2 722	ITEM 75/2/PUP3 597	ITEM 75/2/PUP6 624
75MSRx2		ITEM 75/2/SRB10 492	ITEM 75/2/SRB12 492	ITEM 75/2/SRF 512	ITEM 75/2/SRP1 518	ITEM 75/2/SRP2 664	ITEM 75/2/SRP3 539	ITEM 75/2/SRP6 560
75MSRdx2		ITEM 75/2/SRdB10 538	ITEM 75/2/SRdB12 538	ITEM 75/2/SRdF 558	ITEM 75/2/SRdP1 564	ITEM 75/2/SRdP2 710	ITEM 75/2/SRdP3 585	ITEM 75/2/SRdP6 606
75MNx2		ITEM 75/2/NB10 374	ITEM 75/2/NB12 374	ITEM 75/2/NF 412	ITEM 75/2/NP1 411	ITEM 75/2/NP2 557	ITEM 75/2/NP3 432	ITEM 75/2/NP6 459

Compressivi girevoli con freno Serie 75/2FT nelle varie tipologie di: Fissaggi, Ruote assemblati
Swivel castors with brake of the 75/2FT series with different types of fixing, assembled wheels

Requisiti dei Compressivi assemblati alle varie Ruote Requirements of the castors assembled with the different wheels	G	Gd	GCC	GdA	GcA	PU	SR	SRd	N
Portata Dinamica conforme UNI EN 12527 Dynamic load capacity conform UNI EN 12527	D	100	100	100	-	-	100	100	60
Portata Statica conforme UNI EN 12527 Static load capacity conform UNI EN 12527	S	150	150	150	-	-	150	150	90
Resistenza Passiva del Dispositivo Frenante Conforme UNI EN 12527 Passive resistance of braking device compliance with UNI EN 12527	FT	40	40	40	-	-	-	-	25
Conducibilita Elettrica conforme UNI EN 12527 Electric conductivity in compliance with UNI EN 12527	hom				< 10.000				



	B10	B12	F	P1 60x60	P2 105x85 P2 ALTEZZA + 2.5 mm. P2 HEIGHT + 2.5 mm	P3 77x67	P6 92x65
= Peso per 1 pezzo = Weight for a piece	$\phi 10.2$	$\phi 12.2$	M10 M12 CH9				
75MGx2	ITEM 75/2FT/GB10 624	75/2FT/GB12 624	75/2FT/GF 653	75/2FT/GP1 652	75/2FT/GP2 798	75/2FT/GP3 673	75/2FT/GP6 700
75MGdx2	ITEM 75/2FT/GcB10 663	75/2FT/GcB12 663	75/2FT/GcF 692	75/2FT/GcP1 691	75/2FT/GcP2 837	75/2FT/GcP3 712	75/2FT/GcP6 739
75MGCCx2	ITEM 75/2FT/GCCB10 608	75/2FT/GCCB12 608	75/2FT/GCCF 636	75/2FT/GCCP1 636	75/2FT/GCCP2 782	75/2FT/GCCP3 657	75/2FT/GCCP6 663
75MGdRx2	ITEM 75/2FT/GdFB10 -	75/2FT/GdFB12 -	- -	75/2FT/GdFP1 -	75/2FT/GdFP2 -	75/2FT/GdFP3 -	75/2FT/GdFP6 -
75MGcAx2	ITEM 75/2FT/GcFB10 -	75/2FT/GcFB12 -	- -	75/2FT/GcFP1 -	75/2FT/GcFP2 -	75/2FT/GcFP3 -	75/2FT/GcFP6 -
75MPux2	ITEM 75/2FT/PUB10 622	75/2FT/PUB12 622	75/2FT/PUF 651	75/2FT/PUP1 650	75/2FT/PUP2 796	75/2FT/PUP3 671	75/2FT/PUP6 698
75MSRx2	ITEM 75/2FT/SRB10 568	75/2FT/SRB12 568	75/2FT/SRF 588	75/2FT/SRP1 594	75/2FT/SRP2 740	75/2FT/SRP3 615	75/2FT/SRP6 636
75MSRdx2	ITEM 75/2FT/SRdB10 614	75/2FT/SRdB12 614	75/2FT/SRdF 634	75/2FT/SRdP1 640	75/2FT/SRdP2 786	75/2FT/SRdP3 661	75/2FT/SRdP6 682
75MNx2	ITEM 75/2FT/NB10 457	75/2FT/NB12 457	75/2FT/NF 486	75/2FT/NP1 485	75/2FT/NP2 631	75/2FT/NP3 506	75/2FT/NP6 533