

Supporti girevoli Serie 2 per i vari Diametri di Ruote e Gamma di Fissaggi


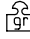


Swivel forks of the 2 series for the various wheels diameters and range of fixings

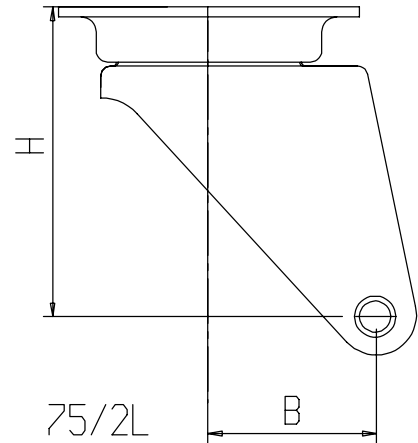
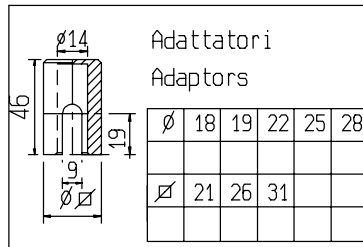
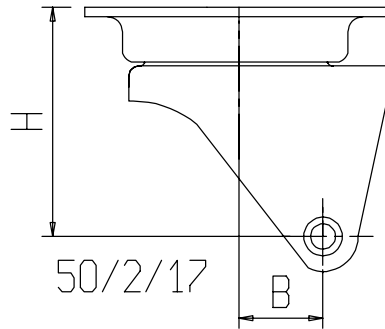
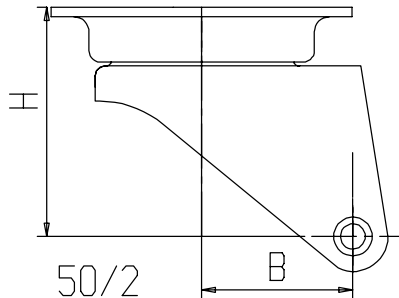
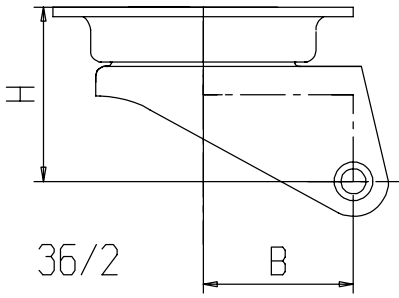
Materiale: Lamiera ferro secondo standard EN 10130
 Trattamento superficiale: Zincatura passivata UNI ISO 2081
 Corona sfere superiore: n. 14 sfere 1/4" ingrassate
 Corona sfere inferiore: n. 22 sfere 5/32" ingrassate
 Material: Iron sheet subject to EN 10130
 Surface treatment: passivated galvanisation subject to UNI ISO 2081
 Upper ball crown N. 14 greased ball 1/4
 Lower ball crown N. 22 greased ball 5/32


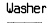
* Gli articoli evidenziati in colore verde sono in fase di allestimento.
 * Articles written in green colour are in course of preparation.

* La portata statica indicata per i soli supporti corrisponde a 1.5 portata dinamica verificata secondo UNI 12527 montando una ruota in Nylon

* The static load capacity mentioned for the only forks correspond to 1.5 dynamic load capacity checked according to UNI 12527 assembling with a nylon wheel

 S Portata Statica conforme UNI EN 12527 *  = Peso per 1 pezzo
 S Static Load Capacity conform UNI EN 12527 *  = Weight for a piece



ITEM		Rondella Washer
8123	-	

	0	B10 ∅10.2 a Richiesta On request	F	C+ Adattatori Adaptors	PI 60x60	P3 77x67	P7 68.5x48
ITEM	36/2/0	36/2/B10	36/2/F	36/2/C	36/2/PI	36/2/P3	36/2/P7
H	35	35	35	35	35	35	35
B	30	30	30	30	30	30	30
 S	60	60	60	60	60	60	60
 G	105	133	154	168	172	188	169
code		1627			1626		
ITEM	50/2/0	50/2/B10	50/2/F	50/2/C	50/2/PI	50/2/P3	50/2/P7
H	47	47	47	47	47	47	47
B	31	31	31	31	31	31	31
 S	60	60	60	60	60	60	60
 G	141	147	172	204	190	206	187
code	1600	1798	1602		1803		
ITEM	50/2/0/17	50/2/B10/17	50/2/F/17	50/2/C/17	50/2/PI/17	50/2/P3/17	50/2/P7/17
H	47	47	47	47	47	47	47
B	17	17	17	17	17	17	17
 S	67	67	67	67	67	67	67
 G	-	-	-	-	-	-	-
code							
ITEM	75/2L/0	75/2L/B10	75/2L/F	75/2L/C	75/2L/PI	75/2L/P3	75/2L/P7
H	62	62	62	62	62	62	62
B	33.5	33.5	33.5	33.5	33.5	33.5	33.5
 S	-	-	-	-	-	-	-
 G	-	-	-	-	-	-	-
code	1660				1706		

