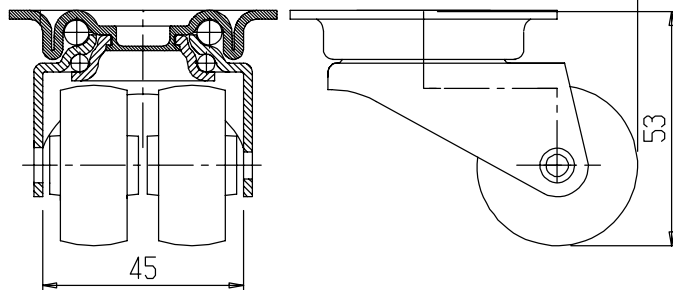


# Compressivi girevoli Serie 36/2 nelle varie tipologie di:Fissaggi,Ruote assemblati Swivel castors of the 36/2 series with different types of fixings, assembled wheels

Requisiti dei Compressivi assemblati alle varie Ruote Requirements of the castors assembled with the different wheels	-	-	-	-	-	-	SR	-	N	-
Portata Dinamica conforme UNI EN 12527 Dynamic load capacity conform UNI EN 12527		D	-	-	-	-	-	-	40	-
Portata Statica conforme UNI EN 12527 Static load capacity conform UNI EN 12527		S	-	-	-	-	-	-	60	-

Adattatori  
Adaptors

Ø	18	19	22	25	28
Ø	21	26	31		



ITEM		code	Rondella Washer	B10	F	C+ Adattatori Adaptors	PI 60x60	P3 77x67	P7 68.5x48
8123	5								
			0						
			Ø12,2	Ø10,2					
36L.SRx2		ITEM	36/2/SRO	36/2/SRB10	36/2/SRF	36/2/SRC	36/2/SRPI	36/2/SRP3	36/2/SRP7
			143	179	205	206	220	236	217
		code		1804			1801		

36L.Nx2		ITEM	36/2/NO	36/2/NB10	36/2/NF	36/2/NC	36/2/NPI	36/2/NP3	36/2/NP7
			145	181	207	208	220	236	217
		code	1616	1619	1813	-	1811		1804

\* Gli articoli evidenziati in colore verde sono in fase di allestimento.

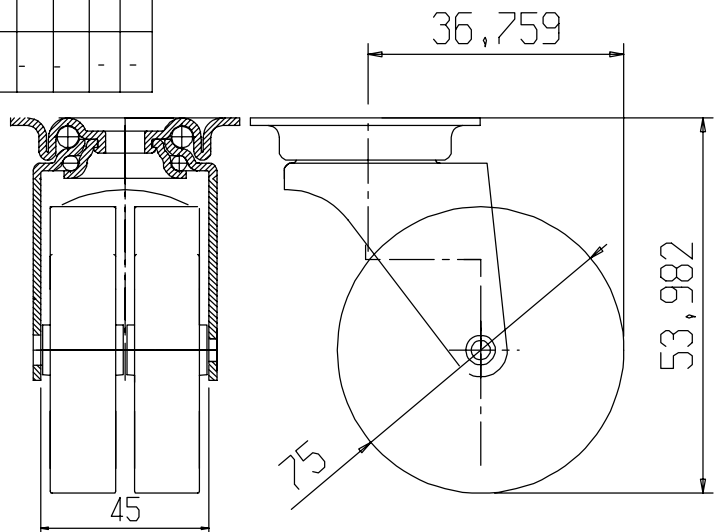
\* Articles written in green colour are in course of preparation.

ITEM	36/2/SR	ITEM	36/2/N
	con Asse Rivettato With riveted axle		con Asse a Vite With screw axle

Compressivi girevoli Serie 75/2L nelle varie tipologie di:Fissaggi,Ruote assemblati  
Swivel castors of the 75/2L series with different types of fixing, assembled wheels

Requisiti dei Compressivi assemblati alle varie Ruote Requirements of the castors assembled with the different wheels	G	Gd	-	-	-	-	-	N	-
Portata Dinamica conforme UNI EN 12527 Dynamic load capacity conform UNI EN 12527	D	-	-	-	-	-	-	-	-
Portata Statica conforme UNI EN 12527 Static load capacity conform UNI EN 12527	S	-	-	-	-	-	-	-	-

\* Gli articoli evidenziati in colore verde sono in fase di allestimento.  
\* Articles written in green colour are in course of preparation.

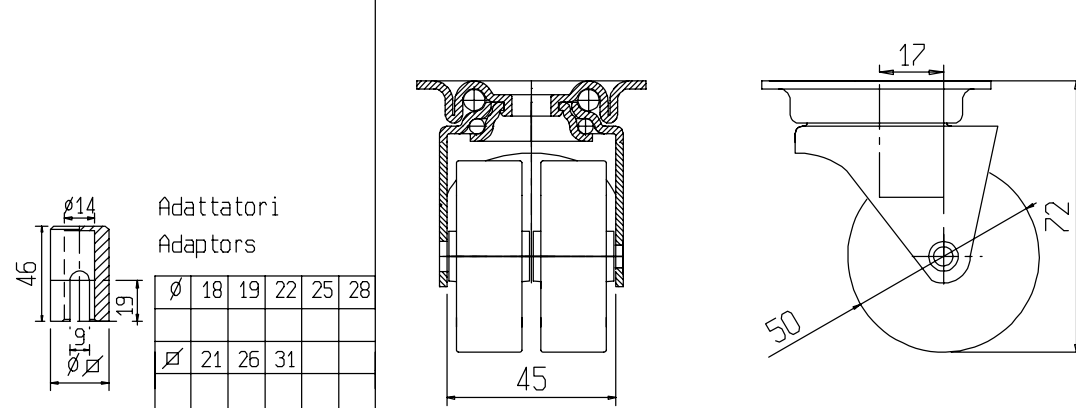


	Adattatori adaptors				
	∅ 18	19	22	25	28
	∅ 21	26	31		

ITEM		code	Rondella Washer	B10 ∅10.2 a Richiesta On request ∅8.2	F	C+ Adattatori adaptors	PI 60x60	P3 77x67	P7 68,5x48
8123	5		0						
= Peso per 1 pezzo = Weight for a piece									
75LGx2		ITEM	75/2L/G0	75/2L/GB10	75/2L/GF	75/2L/GC	75/2L/GPI	75/2L/GP3	75/2L/GP7
			-	-	-	-	-	-	-
		code	1680						
75LGdx2		ITEM	75/2L/Gd0	75/2L/GdB10	75/2L/GdF	75/2L/GdC	75/2L/GdPI	75/2L/GdP3	75/2L/GdP7
			-	-	-	-	-	-	-
		code							
75LNx2		ITEM	75/2L/N0	75/2L/NB10	75/2L/NF	75/2L/NC	75/2L/NPI	75/2L/NP3	75/2L/NP7
			-	-	-	-	-	-	-
		code		1711	1712			1714	
ITEM	75/2L/G-Gd	ITEM	75/2L/N	ITEM	75/2L/G-Gd				
	con Asse Rivettato With screw axle		con Asse a Vite With screw axle		Nucleo Grigio Grey Centre				
	-		-		-				

# Compressivi girevoli Serie 50/2/17 nelle varie tipologie di: Fissaggi, Ruote assemblati Swivel castors of the 50/2/17 series with different types of fixings, assembled wheels

Requisiti dei Compressivi assemblati alle varie Ruote Requirements of the castors assembled with the different wheels	G	Gd	Gc	GA	GcA	SR	SRd	N	-	* Gli articoli evidenziati in colore verde sono in fase di allestimento. * Articles written in green colour are in course of preparation
Portata Dinamica conforme UNI EN 12527 Dynamic load capacity conform UNI EN 12527	D	60	-	-	-	-	-	45	-	
Portata Statica conforme UNI EN 12527 Static load capacity conform UNI EN 12527	S	90	-	-	-	-	-	67	-	
Conducibilita'Elettrica conforme UNI EN 12527 Electric conductivity in compliance with UNI EN 12527	hom				< 10.000					

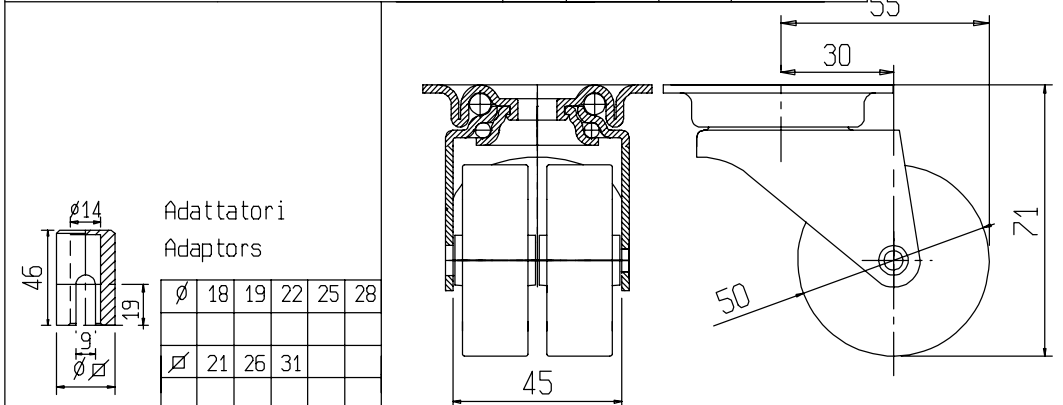


ITEM		code	Rondella Washer	B10 Ø10.2 a Richiesta On request Ø8.2	F	C + Adattatori adaptors	PI 60x60	P3 77x67	P7 68.5x48
8123	5		0						
50L Gx2		ITEM	50/2/G0/17	50/2/GB10/17	50/2/GF/17	50/2/GC/17	50/2/GPI/17	50/2/GP3/17	50/2/GP7/17
		code							
50L Gdx2		ITEM	50/2/Gd0/17	50/2/GdB10/17	50/2/GdF/17	50/2/GdC/17	50/2/GdPI/17	50/2/GdP3/17	50/2/GdP7/17
		code				1645			
50L Gcx2		ITEM	50/2/Gc0/17	50/2/GcB10/17	50/2/GcF/17	50/2/GcC/17	50/2/GcPI/17	50/2/GcP3/17	50/2/GcP7/17
		code				1522			
50L GAx2		ITEM	50/2/GA0/17	50/2/GAB10/17	50/2/GAF/17	<del>50/2/GAC/17</del>	50/2/GAPI/17	50/2/GAP3/17	50/2/GAP7/17
		code							
50L GcAx2		ITEM	50/2/GcA0/17	50/2/GcAB10/17	50/2/GcAF/17	<del>50/2/GcAC/17</del>	50/2/GcAPI/17	50/2/GcAP3/17	50/2/GcAP7/17
		code							
50L SRx2		ITEM	50/2/SR0/17	50/2/SRB10/17	50/2/SRF/17	50/2/SRC/17	50/2/SRPI/17	50/2/SRP3/17	50/2/SRP7/17
		code							
50L SRdx2		ITEM	50/2/SRd0/17	50/2/SRdB10/17	50/2/SRdF/17	50/2/SRdC/17	50/2/SRdPI/17	50/2/SRdP3/17	50/2/SRdP7/17
		code							
50L Nx2		ITEM	50/2/N0/17	50/2/NB10/17	50/2/NF/17	50/2/NC/17	50/2/NPI/17	50/2/NP3/17	50/2/NP7/17
		code					1649		

ITEM	50/2/G-Gd-GA-SR-SRd/17 con Asse Rivettato with riveted axle	ITEM	50/2/N/17 con Asse a Vite With screw axle	ITEM	50/2/G-Gd-Gc/17 Nucleo Grigio Grey Centre
------	---	------	---	------	---

# Compressivi girevoli Serie 50/2 nelle varie tipologie di: Fissaggi, Ruote assemblati Swivel castors of the 50/2 series with different types of fixings, assembled wheels

Requisiti dei Compressivi assemblati alle varie Ruote Requirements of the castors assembled with the different wheels	G	Gd	Gc	GA	GcA	SR	SRd	N	-	* Gli articoli evidenziati in colore verde sono in fase di allestimento. * Articles written in green colour are in course of preparation.
Portata Dinamica conforme UNI EN 12527 Dynamic load capacity conform UNI EN 12527		60	60	60	-	-	-	40	-	
Portata Statica conforme UNI EN 12527 Static load capacity conform UNI EN 12527		90	90	90	-	-	-	60	-	
Conducibilita' Elettrica conforme UNI EN 12527 Electric conductivity in compliance with UNI EN 12527		hom		< 10.000						



ITEM		code	Rondella Washer	B10 Ø10.2 a Richiesta On request Ø8.2	F	C + Adattatori Adaptors	PI 60x60	P3 77x67	P7 68.5x48
8123	5								
			0						
50LGx2		ITEM	50/2/G0	50/2/GB10	50/2/GF	50/2/GC	50/2/GPI	50/2/GP3	50/2/GP7
			255	260	285	318	301	317	298
		code	1610	1806	1612		1613		
50LGdx2		ITEM	50/2/Gd0	50/2/GdB10	50/2/GdF	50/2/GdC	50/2/GdPI	50/2/GdP3	50/2/GdP7
			263	268	293	326	316	332	313
		code	1620	1820	1622		1623		
50Lc2		ITEM	50/2/Gc0	50/2/GcB10	50/2/GcF	50/2/GcC	50/2/GcPI	50/2/GcP3	50/2/GcP7
			323	328	353	386	370	386	367
		code	1630	1800			1516		
50LGAx2		ITEM	50/2/GA0	50/2/GAB10	50/2/GAF	<del>50/2/GAC</del>	50/2/GAPI	50/2/GAP3	50/2/GAP7
			-	-	-	-	-	-	-
		code							
50LcAx2		ITEM	50/2/GcA0	50/2/GcAB10	50/2/GcAF	<del>50/2/GcAC</del>	50/2/GcAPI	50/2/GcAP3	50/2/GcAP7
			-	-	-	-	-	-	-
		code							
50LSR2		ITEM	50/2/SR0	50/2/SRB10	50/2/SRF	50/2/SRC	50/2/SRPI	50/2/SRP3	50/2/SRP7
			230	235	260	293	276	292	273
		code							
50LSRdx2		ITEM	50/2/SRd0	50/2/SRdB10	50/2/SRdF	50/2/SRdC	50/2/SRdPI	50/2/SRdP3	50/2/SRdP7
			221	220	245	278	268	284	265
		code							
50LN2		ITEM	50/2/N0	50/2/NB10	50/2/NF	50/2/NC	50/2/NPI	50/2/NP3	50/2/NP7
			196	202	209	259	225	241	222
		code	1640	1796	1642		1814		1832

ITEM	50/2/G-Gd-GA-SR-SRd con Asse Rivettato With riveted axle	ITEM	50/2/N con Asse a Vite With screw axle	ITEM	50/2/G-Gd-Gc Nucleo Grigio Grey Centre
------	--	------	--	------	--